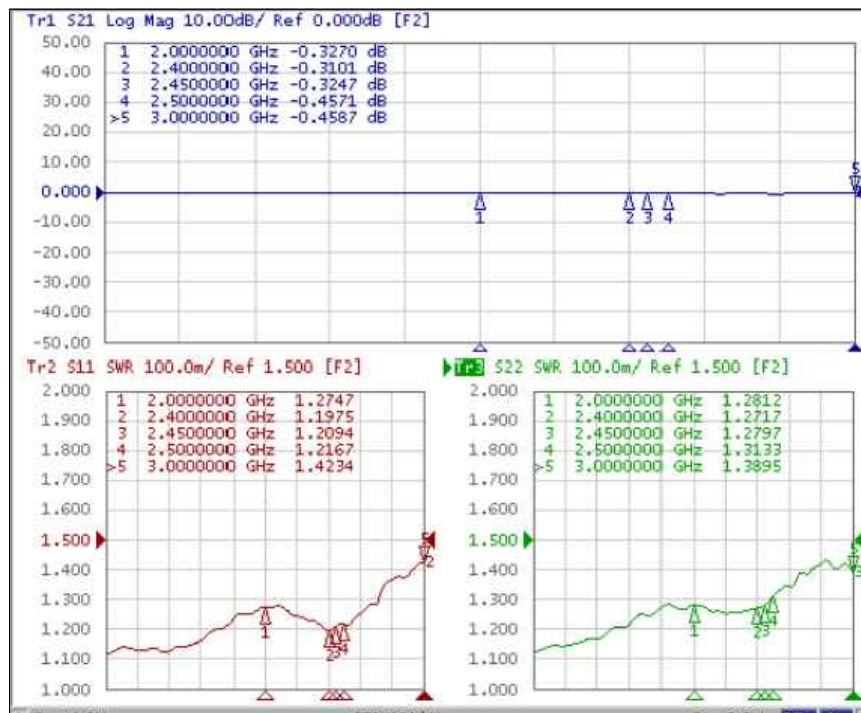
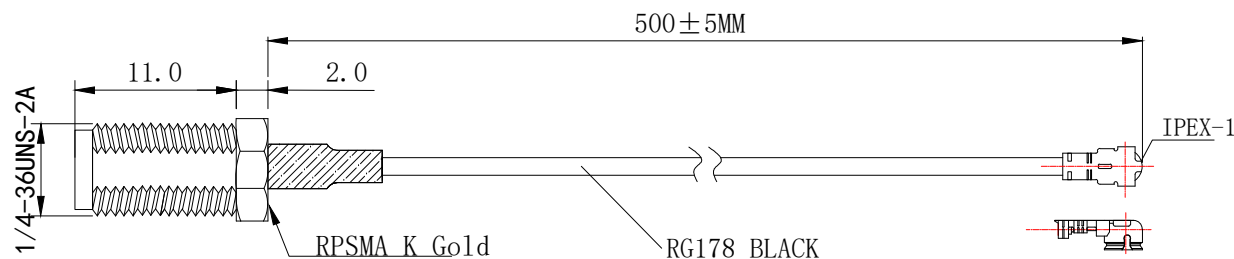
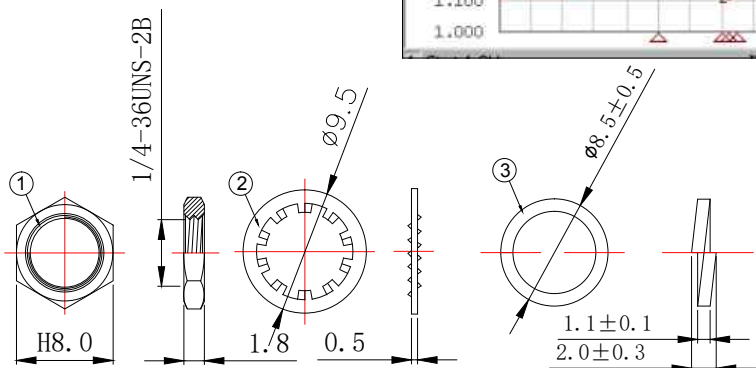


Content with "\*" marking before is the key content to inspect

Products shown here are all ROHS compliant



1. Nut (Gold 1U)
2. Lock Washer (Gold 1U)
3. Spring Washer (Gold 1U)



Performance parameters	
Product name	RF Cable Internal
Model Type	DL-CA-B50-FZ
Frequency Range	0-6G
Impedance	50 OHM
Vswr	≤ 1.4
Max power	10 W
Conduction impedance	0.5 ohm
Insulation resistance	30 ohm
Connector	IPEX & RPSMAK
Cable	RG178-L=500 MM
Temperature	-45° ~ 80°

### Technical Specifications

- 1.Content with "\*" marking before is the key content to inspect
- 2.The working frequency of the connector is 0-3Ghz, impedance is 50 OHM;
- 3.After screwing into the matched connector, the pulling force is 3.5-8.5N.cm;
- 4.The tension between the connector and cable after riveting is greater than 3Kqf;
- 5.The tension of the center Pin and Cable is greater than 1.5kgf;
- 6.The connector is brass, and able to pass 24H salt spray test;
- 7.The conduction test pressure is 500V above, and must pass the test;
- 8.Cable material: RG178 (Black);
- 9.All parts and materials are in compliance with RoHS requirements;

**DreamLNK®** ShenZhen Dreamlnk Technology Co., Ltd

Tolerance	.x	±0.30	Revise Record	Date	Serial No.	Part no.		
	x.x	±0.20			Commodity	RF Cable Internal		
Figure Method	x.xx	±0.10	Scale	Paper size	Model No.	DL-CA-B50-FZ		
	ANGULAR	⑤~			Unit	MM	Version	A
					Drawn by		Date	2021.06.21
					Approved by	Page	1/1	