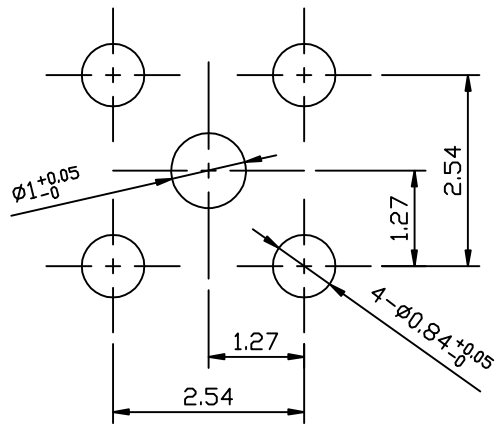
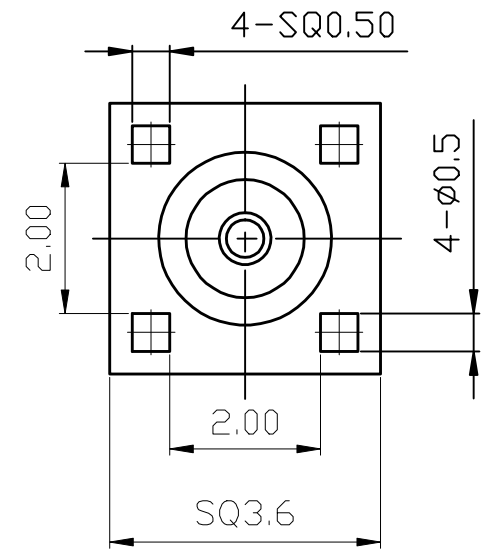
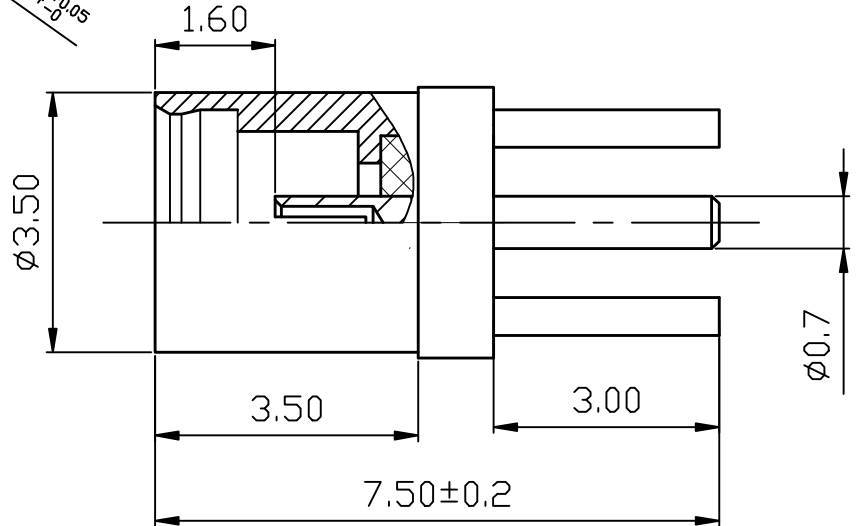


Content with "*" marking before is the key content to inspect

This product is ROHS compliant



P. C. B



Technical Specifications

Standard Impedance: 50OHM;
 Frequency Range: 0~6GHz;
 V.S.W.R.: 1.5MAX;
 Insulation Resistance: 1000MΩ;
 Withstand Voltage : 750V;

DreamLNK® 深圳市骏晔科技有限公司
 SHENZHEN DREAMLNK TECHNOLOGY CO., LTD

Tolerance	.x	±0.30						
	x.x	±0.20						
Figure Method	x.xx	±0.10						
		ANGULAR 5°						
Revise Record								
Scale	1:3	Paper size	A4			Date	2020.08	
Unit	mm	Version	A			Page	1/1	