

# RHOS

Model No.: SMA-KWE901

Material: brass with gold-plated surface

SMA-KWE male head right angle (90 degrees) - external screw type, internal pin, half thread

### 1. Electrical Characteristics

1.1 Impedance: 50 Ohm

1.2 Working Frequency: DC-3 GHz

1.3 S.W.R.:  $\leq 1.5$

1.4 Working Voltage: 335V/ Max

1.5 Insulation Resistance: 5000 Mohm

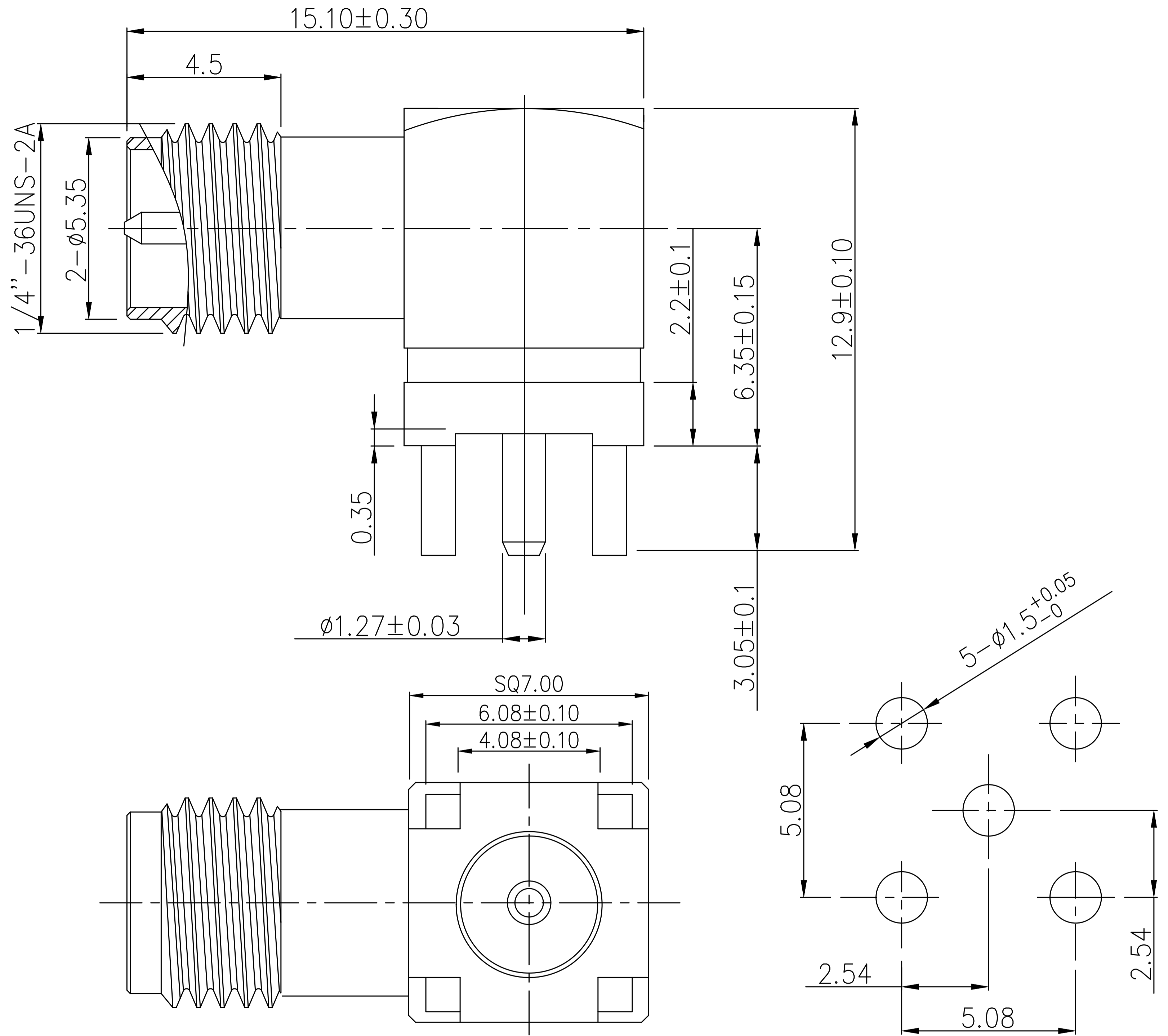
1.6 Contact Resistance: Center contact: 3 Mohm

1.7 External contact:  $\leq 2$  Mohm

### 2. Work Environment

2.1 Operating Temperature Range:  $-55^{\circ}\text{C} \sim +125^{\circ}\text{C}$

2.2 Salt Spray Test: 48H



PCB LAYOUT

5	INSUALTOR 2	PTFE WHITE	1
4	CENTER PIN	BRASS GOLD-PLATING	1
3	INSUALTOR 1	PTFE WHITE	1
2	BOBY 2	BRASS GOLD-PLATING	1
1	BOBY 1	BRASS GOLD-PLATING	1
No.	Description	Material	Q'ty

	<b>DreamLNK</b> ® 深圳市骏晔科技有限公司 SHENZHEN DREAMLNK TECHNOLOGY CO., LTD			
	Tolerance 未注公差		Part Name. 品名 SMA-KWE901	
.X $\pm 0.2$	Material. 材			
.XX $\pm 0.10$	Finish. 理			
.XXX $\pm 0.05$	Scale. 比例 1:1	Draw .	Check.	App. 核准
未注角度公差 $\pm 1^{\circ}$	REV. 版本/次 A/0	19.01.15	19.01.15	19.01.15
	Unite. 位 mm			