

Model No.: SMA-KWE903

Material: brass with gold-plated surface

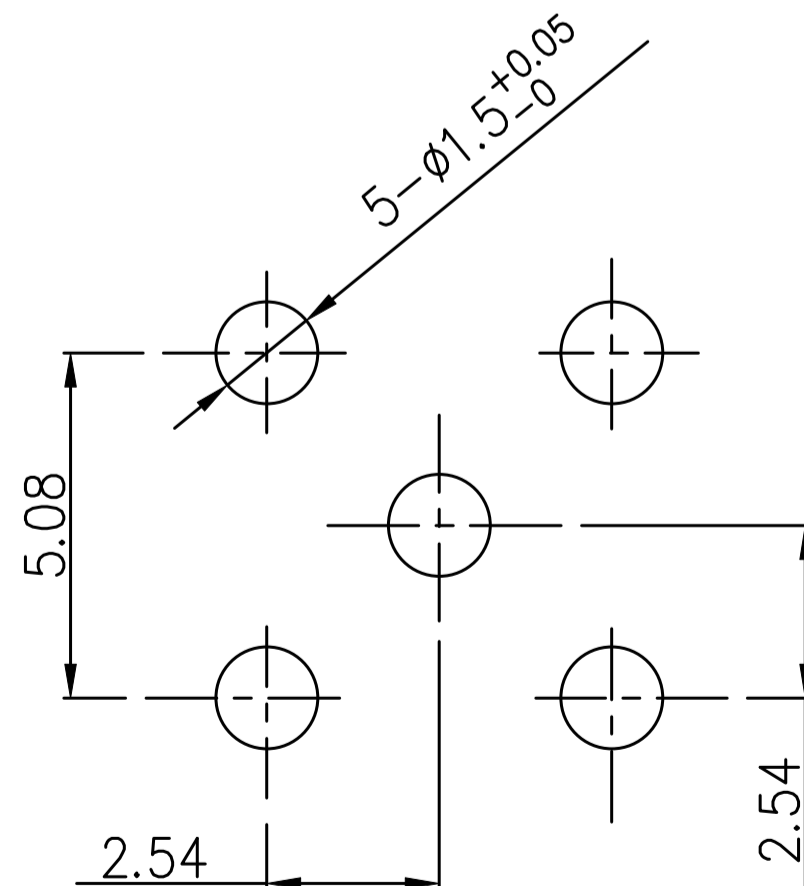
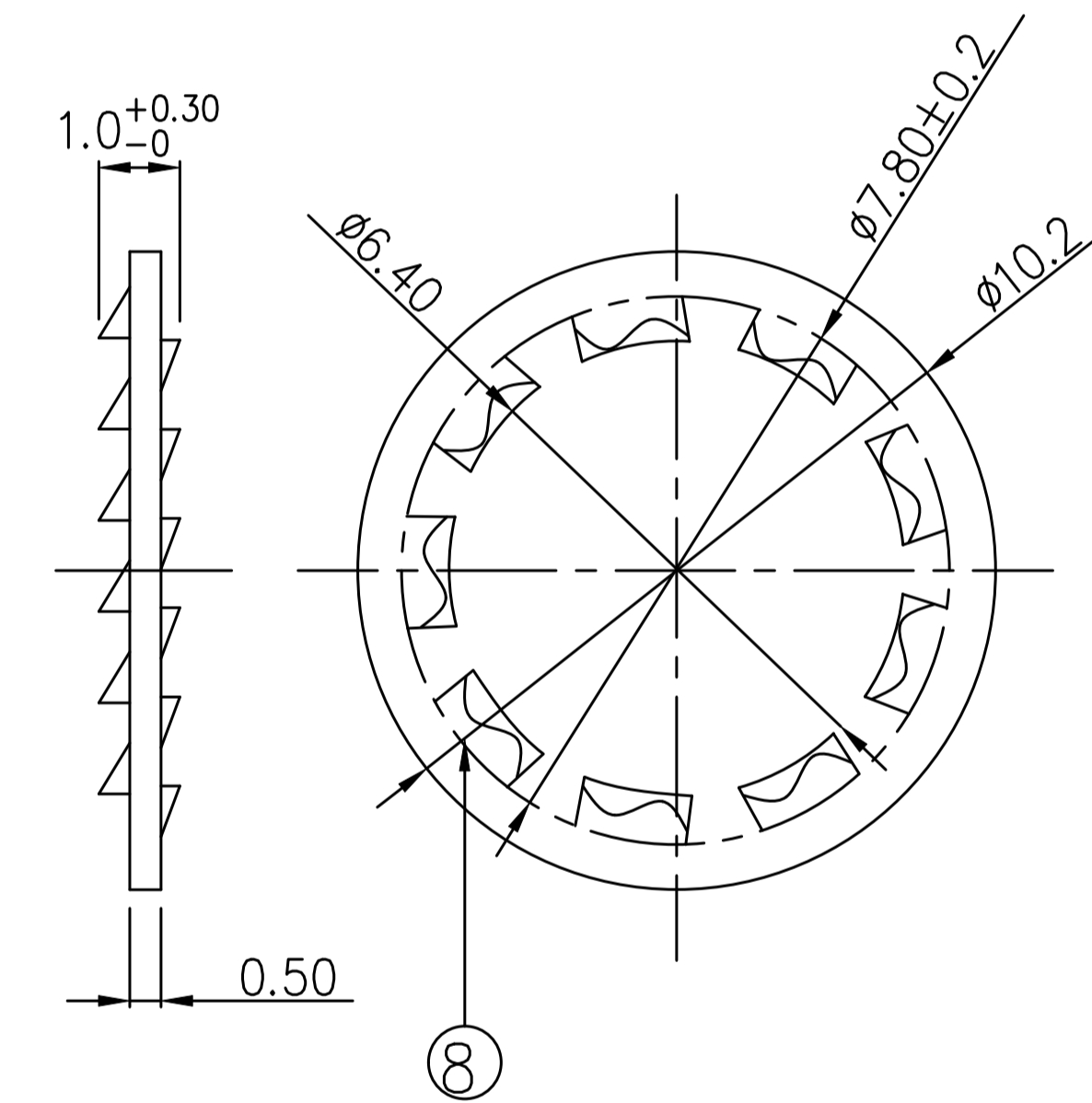
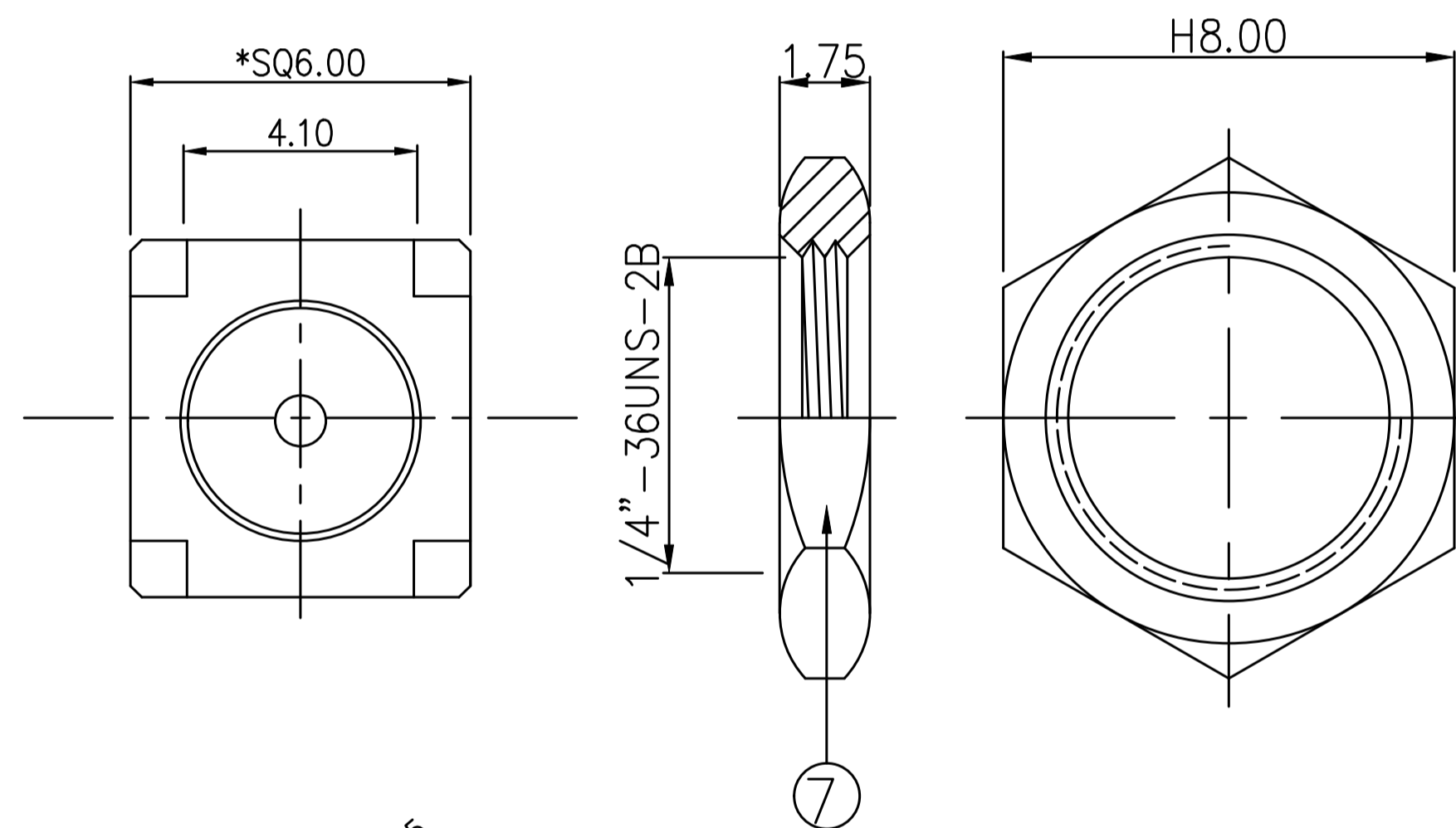
SMA-KWE female head right angle (90 degrees) - external screw type, internal hole, 14 threads

1. Electrical Characteristics

- 1.1 Impedance: 50 Ohm
- 1.2 Working Frequency: DC-3 GHz
- 1.3 S.W.R.: ≤1.5
- 1.4 Working Voltage: 335V/ Max
- 1.5 Insulation Resistance: 5000 Mohm
- 1.6 Contact Resistance: Center contact: 3 Mohm
- 1.7 External contact: ≤2 Mohm

2. Work Environment

- 2.1 Operating Temperature Range: -55°C ~ +125°C
- 2.2 Salt Spray Test: 48H



7	十齿华司 OD10.2*1.10	C3604 镀金1u"	SMA102011G-2331	1
6	螺母 H8.0*1.75	C3604 镀金1u"	NUT080175G-1840	1
5	绝缘体 OD4.10*5.00	PTFE 白色	SMA410500I-1714	1
4	四角本 SQ6.0*13.00	C3604 镀金1u"	SMA060130G-0708	1
3	绝缘体 OD4.2*7.20	PTFE 白色	SMA042072I-1535	1
2	中心PIN OD1.35*24.0	C3602 镀金2u"	SMA135240G-2183	1
1	螺牙本 OD6.2*15.8	C3604 镀金1u"	SMA062158G-0737	1

零件序号	部品名/规格	材料	零件编号	用量
------	--------	----	------	----

	深圳市骏晔科技有限公司 SHENZHEN DREAMLNK TECHNOLOGY CO., LTD			
	Tolerance 未注公差		Part Name. 品名	
	.X ±0.2		SMA-KWE903	
	.XX ±0.10		Material. 材	
	.XXX ±0.05		Finish. 理	
未注角度公差 ±1°		Scale. 比例	1:1	Draw .
		REV. 版本/次	A/0	Check. 核
		Unite. 位	mm	App. 核准
			19.03.15	19.03.15
				19.03.15